

# № 624

.....

**EN HAIR/BEARD CLIPPER**

Instruction manual

.....

**RU МАШИНКА ДЛЯ  
СТРИЖКИ ВОЛОС**

Инструкция по эксплуатации

.....



# **CARRERA**

---

.....

DESIGNED IN GERMANY

[www.carrera.de](http://www.carrera.de)

## Thank you.

For having placed your trust in CARRERA and for giving us the opportunity to prove you right with our hair clipper.

## Everything is driven by one idea.

Each CARRERA appliance follows a clear concept.

No consideration of existing gender roles, no pink for women or blue for men. Since when do quality and performance have a gender?

We create technology maximizing user friendliness, handling and aesthetics and bringing performance to life. Performance is not just delivered by the motor alone, but results from the skillful interplay of each individual component. You will love our clipper from the moment you switch it on.

We call it the **CARRERA** boost.

We have not reinvented the wheel, but we had the courage to do right what is crucial and to dispense with everything that is unimportant.

That is our style. And you will rediscover it in every **CARRERA** appliance.

---

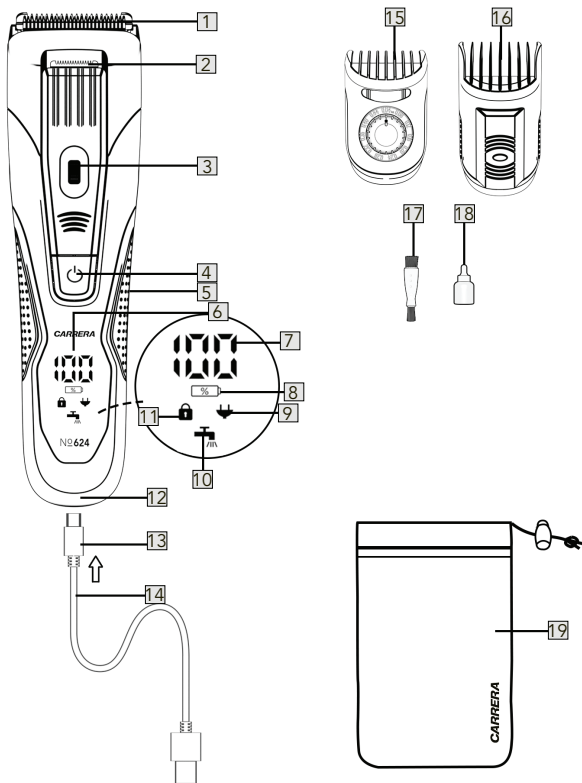
# CONTENT

---

01	Scope of Delivery/Appliance Parts	1
02	Safety Instructions	3
03	Intended Use	5
04	Before Use	6
05	Operation	8
06	Changing the Attachment	10
07	Cleaning and Maintenance	12
08	Transport and Storage	13
09	Disposal	13
10	Troubleshooting	14
11	Technical Data	14
12	Warranty	15
13	Additional Information	15

---

# 01 SCOPE OF DELIVERY/APPLIANCE PARTS





# 01 SCOPE OF DELIVERY/APPLIANCE PARTS

---

- 1 Cutting unit
- 2 Precision trimmer
- 3 Release buttons (for precision trimmer)
- 4 ON/OFF button
- 5 Grips (soft touch)
- 6 Display
- 7 Battery level
- 8 Battery symbol
- 9 Plug symbol
- 10 Cleaning symbol
- 11 Lock symbol
- 12 USB-Type C socket
- 13 USB-Type C connector
- 14 USB-Type C cable
- 15 Precision attachment (for beards and short hair)
- 16 Comb attachment
- 17 Cleaning brush (double-sided)
- 18 Blade oil
- 19 Pouch

## 02 SAFETY INSTRUCTIONS

---

These important safety precautions are critical part of the appliance. Please read them all carefully before using the appliance for the first time. You may keep the instructions for future reference or pass it to other users. Always handle the appliance with care and warn other users of the potential danger.

- Connect the USB-cable to the appliance first, and only then plug the power adapter into a power outlet.
- Make sure that the mains voltage stated on power adapter corresponds to the local electricity supply.
- The appliance is recommended to be connected to a grounded outlet.
- Connect the appliance to AC power source only. For additional protection please install a residual current device (RCD). For installation, contact a specialist.
- Do not turn the appliance on before finishing assembly and adjustment.
- Do not place the working appliance on any surface.
- Do not place the appliance on or near hot gas or electric burner, or near open fire.
- Do not use the appliance in outdoor environment.
- Do not use the appliance in places where aerosols are sprayed or flammable liquids are present.
- Do not use the appliance near curtains or other flammable objects.
- This appliance is designed for household use only.



### **WARNING!**

**Disconnect hand-held parts from the USB-cable before cleaning them in water.**

- Do not use the product while bathing. Do not use this product near bathtubs, showers, basins or other vessels containing water. If the appliance falls in water, immediately remove the USB-cable from the power supply (not included) before you reach into the water.

Never touch the USB-cable with moist or wet hands, especially when you plug it into the power supply or pull it out of it. Before reuse, the appliance must be checked by a qualified specialist.

- Do not place the appliance near sources of water or other liquids, or near heating appliances.
- Do not place the appliance near sources of water or other liquids, or near heating appliances.
- Do not immerse the appliance or the charging cable in water or any liquids. Do not touch it with wet hands.
- Do not use appliance for other than intended use.
- Keep the appliance and power cable away from high temperatures, direct sunlight, moisture and other negative influences.
- Do not turn the appliance on if it was dropped, if there is external damage, until it is inspected by a qualified specialist.
- Do not cover the appliance, USB-cable or adapter when in use or charging with a towel or other object. Do not place any foreign objects on the appliance.
- Do not leave the working appliance unattended. Switch the appliance off right after using it.
- Do not use the appliance for trimming animal hair.
- Do not let USB-cable hang over the edge of table or counter or touch hot surface. Do not place the cable on a sharp edge of an item.
- The use of accessories not included in the box is not recommended. It might be dangerous and should be avoided.
- Do not change the accessories while the appliance is switched on.
- Do not use defective accessories.
- Keep the blade oil out of reach of children. Do not ingest the blade oil, do not get it into your eyes. Keep it in a safe place if it is not being used.
- Children shall not be playing with the appliance. This appliance shall not be used by children. Keep the appliance and its cord out of reach of children.
- Do not allow children to play with the appliance, accessories, box or other packaging to avoid injury or suffocation.
- Remove the USB-cable from the power supply if
  - o a malfunction occurs,
  - o you clean the product,

- o you have not used the product for a long time,
- o there is a thunderstorm,
- o you are finished with using it.
- The appliance should be cleaned after each use.
- Do not pull the USB-cable, when disconnecting the appliance. Do not wind the cable around the appliance. Do not try to carry the appliance by the cable.
- Appliance can be used by children older than 8 and by persons with reduced physical, sensory or mental capabilities or lack of experience and knowledge if they are under supervision or have been given instruction concerning use of the appliance in a safe way and understand the hazards involved.
- Store the appliance in a cool dry place out of children's reach. Ensure that the cable do not get twisted or tangled.
- Battery can be replaced only by a qualified specialist in a service center.
- Regularly check the appliance and the USB-cable for mechanical damage and do not use the appliance if any is found. It is forbidden to repair the appliance or make changes to its design on your own. Do not attempt to open the housing of the appliance. The appliance may be repaired in a specialized service center only.

## **03 INTENDED USE**

---

The hair clipper is designed for trimming facial and head hair. This appliance is intended for use in residential, commercial and industrial areas in accordance with the intended use and safety precautions described in this instruction manual.

## 04 BEFORE USE

---

- After storage or transportation at low temperatures, keep the appliance in warm room for two hours before turning it on. Remove all packaging materials from the appliance.
- Make sure that the accessories of the appliance fit the description, and that the appliance is not damaged.
- Wipe the body of the appliance with a damp cloth and rinse the blade and attachments under running water. Dry thoroughly before use.

### Charging

Charge the product for 90 minutes before using it for the first time. Switch the appliance off using the ON/OFF button (4). Connect the USB Type to the appliance and the power adapter (not provided) to the mains socket. During the charging process, the plug symbol (9) and the battery symbol (8) will light up, the charging status will be shown by the battery level (7). The display will show the battery level in percent (01, 02, 03, ... ,100 % – in 1 % increments). When the battery is fully charged, the display (6) will show 100 % and the plug symbol (9) will no longer be lit up. A fully charged battery provides approx. 60 minutes of cordless use.

The plug symbol (9) will flash red in the display when the battery is nearly drained.

To lengthen the service life of the rechargeable battery, use the appliance regularly and without long storage periods, and let the rechargeable battery get fully drained before charging it.



### **WARNING!**

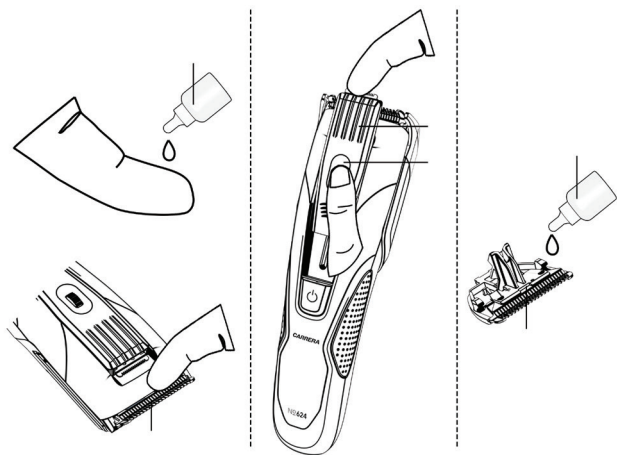
- **The appliance can be used cordless only.**
- **The appliance and the USB cable are not waterproof and are not recommend to be used in the bathtub or shower. The appliance must not be charged in the bathtub/shower.**

## Oiling the blades

Oil the blades before first use and after cleaning to guarantee complete functionality.

Always switch the appliance off before oiling the blade. Apply one or two drops of blade oil (18) between the blades and distribute them evenly. Wipe any excess oil off with a cloth.

You can also use any acid-free oil (such as sewing machine oil).



## 05 OPERATION

---

Before using the hair clipper, wash, dry and comb your hair to get perfect result.

Make sure that the appliance is charged and, if needed, install an attachment. Set the ON/OFF button (4) to the "ON" position. Switch the appliance off right after use. Press and hold the ON/OFF button for approx. 3 seconds to activate/deactivate the transport lock. The lock symbol (11) will flash for a short time and then go out.

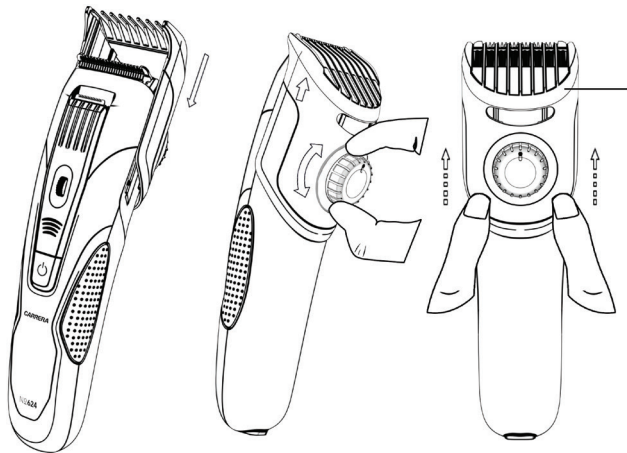


### **WARNING!**

- **The appliance is intended for use on dry hair only.**
- **Do not use the appliance if you have an open wound, cut, sunburn or blister.**

### **Beard trimming**

1. Install the precision attachment and make sure it is locked securely. Use the adjustment wheel to set the desired length from 1 to 11 mm (with an increment of 1 mm). Start with more length and cut the excess off later if necessary.
2. Trim your beard. With smooth movements, move the appliance in the direction of your hair growth, moving from the ears to the chin.
3. Trim the mustache moving the appliance from the nose to the corners of the lips, and then to the chin.
4. At the very end, trim your neck. To do this, either take the attachment off, or set it to a short length to make the line between the neck and the beard as small as possible. Trim begging from the neck up to the chin.
5. As a final touch, trim the edges of the beard.



## Hair trimming

1. Attach the precision attachment or the comb attachment depending on the hair length you want. Set the length: from 1 to 11 mm (precision attachment, with an increment of 1 mm) or from 12 to 33 mm (comb attachment, with an increment of 3 mm). Start with more length and cut the excess off later if necessary.
2. Start cutting from the bottom of the back of the head, moving towards the temples against the direction of your hair growth. Do not try to cut too fast and do not make jerky movements; the attachment should touch the head lightly. Do not forget about the area behind the ears. As you work, clean the attachment from cut hair.
3. To contour the neck and sideburns, take the attachment off and gently move the appliance against the direction of hair growth.



For edging, you can use either the cutting block or the precision trimmer (2). Press button 3 to pull it forward.

## 06 CHANGING THE ATTACHMENT

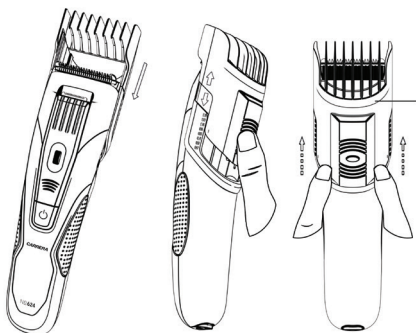
---

The appliance has two attachments: a precision attachment (15) and a comb attachment (16) to adjust the hair length. Before installing the nozzle, make sure that the appliance is turned off.

### Precision attachment

The precision attachment is designed for cutting short hair, beards and mustaches, as well as creating precise haircut contours and lines.

Carefully attach the comb attachment to the appliance and make sure the locks on both sides of the body are securely engaged. Make sure that both of the recesses on the precision attachment lock into place properly in the lateral locking mechanisms on both sides of the cutting unit (1). To adjust the precision attachment, press and slide it forwards and upwards with both thumbs. To remove the attachment, push it upwards with both thumbs.



## **Comb attachment**

The comb attachment is used for cutting hair.

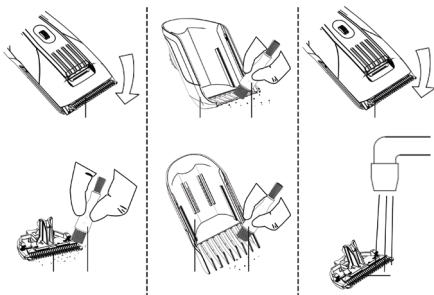
Carefully attach the comb attachment to the appliance. Make sure that both of the recesses on the comb attachment lock into place properly in the lateral locking mechanisms on both sides of the cutting unit. To adjust the attachment, press the release button on the front and the back sides of the attachment with your thumb and forefinger. To remove the attachment, push it upwards with both thumbs.

## 07 CLEANING AND MAINTENANCE

---

Clean the appliance regularly to make it last longer. A timer built into the appliance adds the trimming times. After 30 minutes of trimming, the cleaning symbol (10) will start flashing in the display to remind you to thoroughly clean the appliance. If you switch the appliance off while the cleaning symbol is flashing, the trimming timer will restart.

1. Turn the appliance off, disconnect the USB cable and take the attachment off. Remove the cutting block and rinse it under running water. Use the brush (17) if necessary. Use the brush to clean the cutting unit installation slot. Dry the cutting unit thoroughly before reinstalling it.
2. Use the brush to clean the precision trimmer.
3. Wash the attachments under running water, using a mild detergent if necessary. Use the brush for better cleaning. Dry the attachments thoroughly before using again.
4. After cleaning, oil the blades.
5. Store the appliance in a dark, cool place out of the children's reach. When storing make sure that the USB cable is not tangled.



### CAUTION!

- **Never immerse the appliance in water.**
  - **Do not use any corrosive or abrasive cleaning agents.**
- This might damage the surface of the appliance.**

## 08 TRANSPORT AND STORAGE

---

- Store the appliance in a clean, closed, dry room at an ambient temperature between 5 and 40 °C and a relative humidity of no more than 70 %.
- Transportation of the device can be carried out by all means of transport, in accordance with the rules for the carriage of goods. When transporting in the original packaging, protect the appliance from damage, preventing the exposure to precipitation and aggressive environments.
- When transporting the appliance without original packaging, use bubble wrap and corrugated cardboard packaging. Wrap each element of the appliance in a film and place it vertically in the container. The free distance between the elements of the product must be laid with air bubble wrap or folded cardboard.

## 09 DISPOSAL

---



To protect the environment, do not dispose of appliance and the batteries with household waste. Bring the appliance and batteries to specialized points for further disposal. For more information on the disposal of this product, contact your local authority, your household waste disposal service, or the retailer.

## 10 TROUBLESHOOTING

---

Problem	Possible cause	Solution
The appliance does not work.	The battery is drained.	Charge the appliance.
	The appliance is damaged.	Take the appliance to a specialized service center.
Bad performance.	The blades or attachments are dirty.	Clean the appliance (see "Cleaning & Maintenance").



### **WARNING!**

**Never repair the appliance yourself, contact an authorized service center or a qualified specialist.**

## 11 TECHNICAL DATA

---

- Input: 5 V  $\overline{=}$  1 A
- Battery: Li-ion, 800 mA·h, 3,7 V
- Operating temperature: -10 to +40 °C
- Protection type: IPX6
- Protection class: III

### **PARTS LIST**

- Hair clipper
- USB-Type-A to C cable
- Attachments – 2 pcs
- Cleaning brush
- Blade oil
- Pouch
- Instruction manual

## 12 WARRANTY

---

Organization for warranty service and acceptance of claims:  
LLC "MVM", Russia, 105066, Moscow, Nizhnyaya Krasnoselskaya  
str., 40/12, building 20, floor 5, room II, room 3.

Phone: +7 (495) 644-28-48

Information about the warranty conditions:

<https://www.eldorado.ru/spv>

or by phone Eldorado - 8 (800) 250 25 25

<https://www.mvideo.ru/spv>

or by phone M.Video - 8 (800) 600 77 75

The seller's warranty is 12 months from the date of sale (transfer)  
of the goods to the Customer.

## 13 ADDITIONAL INFORMATION

---

Manufacturer: CARRERA Global FZCO

Address: DSO-IFZA-19795, IFZA Properties, Dubai Silicon Oasis,  
UAE

Importer/Manufacturer's authorized company:

LLC "MVM", Russia, 105066, Moscow, Nizhnyaya Krasnoselskaya  
str., 40/12, building 20, floor 5, room II, room 3.

E-mail: cert-log@mvideo.ru Phone: +7 (495) 644-28-48

Installed by the manufacturer in accordance with paragraph  
2 of article 5 of the Law of the Russian Federation "On Consumer  
Protection" the service life of this product is 3 years from the date  
of sale, provided that the product is used in accordance with the  
rules and recommendations set forth in this instruction manual and  
applicable technical standards.

There are no special conditions for the sale.

The date of manufacture is indicated (coded) on the device, where the 1st and 2nd digits from the beginning are the month of manufacture; the next 4 digits are the year of manufacture.

The product is certified, meets the requirements:  
TRTS 020/2011 "Electromagnetic compatibility of technical means",  
TR EAEU 037/2016 "On the restriction of the use of hazardous substances in products of electrical engineering and radio electronics".

## Спасибо!

Мы благодарим вас за покупку продукции CARRERA и за готовность убедиться, что наша машинка для стрижки волос – это правильный выбор.

### Стиль **CARRERA**

В основе всех устройств CARRERA лежит единая концепция. Мы не делаем различий между полами – никакого розового цвета для женщин или синего для мужчин. Качество и производительность не зависят от пола.

Мы стремимся создавать удобные, красивые и эффективные устройства, в которых высокие технологии сочетаются с комфортом для пользователя. Вы будете получать удовольствие с момента первого включения и в течение многих лет.

Высокая производительность обусловлена не только мощным двигателем, но и эффективным взаимодействием всех компонентов устройства.

Мы называем это «прорывом в стиле **CARRERA**».

И хотя, казалось бы, в этом нет ничего кардинально нового, мы стремимся доводить до совершенства действительно нужное и решительно освобождаемся от всего лишнего.

Это наш стиль работы. Этот принцип лежит в основе всех устройств **CARRERA**.



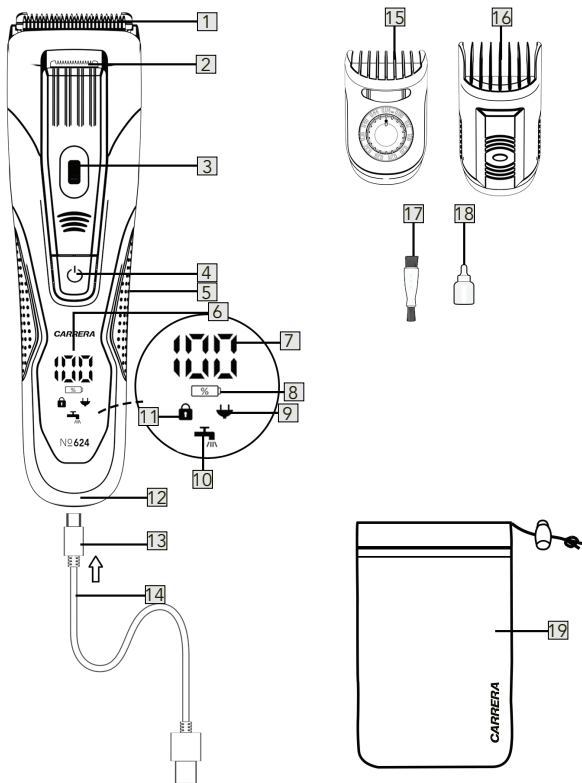
.....

# СОДЕРЖАНИЕ

.....

01 СХЕМА ПРИБОРА	19
02 МЕРЫ БЕЗОПАСНОСТИ	21
03 НАЗНАЧЕНИЕ	22
04 ПОДГОТОВКА К РАБОТЕ	24
05 ЭКСПЛУАТАЦИЯ	26
06 СМЕНА НАСАДОК	28
07 ОЧИСТКА И УХОД	30
08 ТРАНСПОРТИРОВКА И ХРАНЕНИЕ	31
09 УТИЛИЗАЦИЯ	31
10 УСТРАНЕНИЕ НЕИСПРАВНОСТЕЙ	32
11 ТЕХНИЧЕСКИЕ ХАРАКТЕРИСТИКИ	32
12 ГАРАНТИЯ	33
13 ДОПОЛНИТЕЛЬНАЯ ИНФОРМАЦИЯ	33

# 01 СХЕМА ПРИБОРА



# 01 СХЕМА ПРИБОРА

---

- 1 РЕЖУЩИЙ БЛОК
- 2 ТРИММЕР ДЛЯ ТОЧНОГО СТАЙЛИНГА
- 3 КНОПКА ВЫДВИЖЕНИЯ ТРИММЕРА ДЛЯ ТОЧНОГО СТАЙЛИНГА
- 4 КНОПКА ВКЛЮЧЕНИЯ
- 5 НЕСКОЛЬЗЯЩАЯ РЕБРИСТАЯ ПОВЕРХНОСТЬ
- 6 ДИСПЛЕЙ
- 7 ИНДИКАТОР УРОВНЯ ЗАРЯДА БАТАРЕИ
- 8 ИНДИКАТОР ЗАРЯДКИ
- 9 ИНДИКАТОР НИЗКОГО УРОВНЯ ЗАРЯДА БАТАРЕИ
- 10 ИНДИКАТОР ОЧИСТКИ
- 11 ИНДИКАТОР БЛОКИРОВКИ
- 12 РАЗЪЕМ ДЛЯ USB-КАБЕЛЯ
- 13 ШТЕКЕР USB-КАБЕЛЯ
- 14 USB-КАБЕЛЬ
- 15 НАСАДКА ДЛЯ ТОЧНОГО СТАЙЛИНГА
- 16 НАСАДКА-ГРЕБЕНЬ
- 17 ЩЕТОЧКА ДЛЯ ОЧИСТКИ
- 18 МАСЛЕНКА
- 19 ЧЕХОЛ ДЛЯ ХРАНЕНИЯ

## 02 МЕРЫ БЕЗОПАСНОСТИ

---

Перед первым использованием прибора внимательно прочтите меры безопасности. Сохраните инструкцию для дальнейшего использования и при необходимости передайте ее другим пользователям. Обращайтесь с прибором осторожно и предупредите других пользователей о потенциальной опасности

- Сначала подключайте шнур к устройству и только потом вставляйте блок питания в розетку.
- Перед использованием блока питания убедитесь в соответствии рабочего напряжения устройства и напряжения электросети.
- Подключайте прибор только к источнику переменного тока. Для дополнительной защиты рекомендуется установить устройство защитного отключения (УЗО). Для установки обратитесь к специалисту.
- Не включайте прибор до полной сборки и регулировки.
- Не используйте прибор не по назначению.
- Не кладите работающий прибор на какую-либо поверхность.
- Не используйте прибор на открытом воздухе.
- Не используйте прибор в местах, где распыляются аэрозоли или есть легковоспламеняющиеся жидкости.
- Не кладите прибор рядом или на горячие поверхности или рядом с открытым огнем.



### **ВНИМАНИЕ!**

**Отсоединяйте части, удерживаемые в руке, от шнура питания перед чисткой их в воде.**

- Не используйте прибор, принимая ванну, а также в непосредственной близости от емкостей, заполненных водой (ванны, раковины и т. д.). Если прибор упал в воду, немедленно отключите USB-кабель от сети сухими руками, при этом ни в коем случае не опускайте руки в воду и не пытайтесь включить прибор

повторно. Перед повторным использованием прибор должен быть проверен специалистом.

- Не оставляйте прибор вблизи источников воды и других жидкостей, а также рядом с нагревательными или отопительными приборами.
- Не погружайте прибор или USB-кабель в воду или другие жидкости и не прикасайтесь к нему влажными руками.
- Берегите прибор и USB-кабель от воздействия высоких температур, прямых солнечных лучей, сырости и прочих негативных воздействий.
- Не включайте прибор, если он упал, при наличии внешних повреждений до того, как его осмотрит специалист. Обратитесь в специализированный сервис.
- Не накрывайте работающий или заряжающийся прибор, USB-кабель и сетевой адаптер полотенцем или другими предметами. Не ставьте на прибор посторонние предметы.
- Не оставляйте работающий прибор без присмотра. Выключайте прибор сразу после использования.
- Не используйте прибор для стрижки шерсти животных.
- Следите, чтобы USB-кабель не соприкасался и острыми предметами, а также не свисал с края стола или стойки.
- Не рекомендуется использовать аксессуары, не входящие в комплект поставки.
- Перед сменой насадок обязательно выключите прибор.
- Запрещается использовать деформировавшиеся насадки или насадки с механическими повреждениями.
- Храните масло для смазки лезвия в месте, недоступном для детей. Будьте осторожны, чтобы масло не попало в глаза, не глотайте масло.
- Не разрешайте детям играть с прибором, аксессуарами, коробкой и прочими элементами упаковки во избежание травм или удушья.
- Прибор не предназначен для использования лицами (включая детей) с пониженными физическими, сенсорными или умственными способностями или при отсутствии у них жизненного опыта или знаний, если они не находятся под присмотром

или не проинструктированы об использовании прибора лицом, ответственным за их безопасность.

- Отключайте прибор от сети в следующих случаях:
  - о при неправильной работе прибора;
  - о перед очисткой прибора;
  - о если вы не планируете использовать прибор в ближайшее время;
  - о во время грозы.
- Проводите очистку прибора после каждого использования.
- Отключая прибор от USB-кабеля, не тяните за кабель. Не матайте кабель на корпус прибора. Не пытайтесь переносить прибор за кабель.
- Замена аккумулятора должна производиться специалистом в сервисном центре.
- Регулярно проверяйте прибор и USB-кабель для выявления механических повреждений и не используйте прибор в случае их обнаружения. Запрещается самостоятельно ремонтировать прибор или вносить изменения в его конструкцию. Ремонт прибора должен производиться исключительно специалистом сервисного центра.

## **03 НАЗНАЧЕНИЕ**

---

Электробритва предназначена для стрижки волос на лице и голове. Данный прибор предназначен для работы в жилых, коммерческих и производственных зонах в соответствии с назначением и мерами безопасности, описанными в данной инструкции по эксплуатации.

## 04 ПОДГОТОВКА К РАБОТЕ

---

- Извлеките прибор из упаковки, освободив от транспортировочных элементов.

Убедитесь в том, что комплектация соответствует заявленной производителем, а аксессуары и сам прибор не повреждены. Протрите корпус прибора влажной тканью и промойте лезвие и насадки под проточной водой. Тщательно высушите перед использованием.

### Зарядка

Перед началом эксплуатации зарядите прибор в течение 90 минут. Убедитесь, что прибор выключен. Подсоедините USB-кабель (14) к разъему (12) на корпусе прибора. Подключите USB-кабель к блоку питания (не входит в комплект поставки). На дисплее (6) отобразится уровень заряда батареи (7) - от 01 до 100 %. Загорятся индикатор зарядки (8) и индикатор низкого уровня заряда батареи (9). Когда батарея будет полностью заряжена, индикатор 9 погаснет. Полный заряд обеспечивает до 60 минут беспроводного использования прибора.

Если аккумулятор почти полностью разряжен, на дисплее замигает красным индикатор низкого уровня заряда (9).

Чтобы продлить жизнь аккумуляторной батареи, используйте прибор регулярно, без долгих перерывов, а также заряжайте его только после того, как уровень заряда опустится ниже 5 %



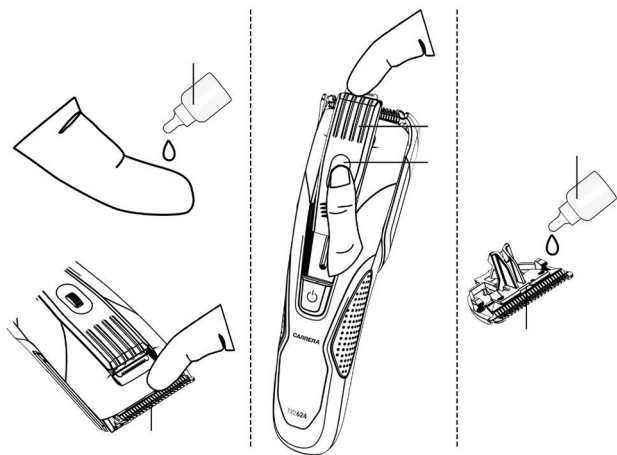
### **ВНИМАНИЕ!**

- **Не заряжайте прибор в ванной комнате или рядом с емкостями, наполненными водой.**
- **Не пытайтесь использовать прибор, пока он заряжается. Прибор предназначен только для беспроводного использования.**

## Смазка лезвий

Перед первым использованием и после очистки необходимо смазывать лезвия маслом. Для этого убедитесь, что прибор выключен, и нанесите одну-две капли масла (18) на зубцы лезвий. Равномерно распределите масло и удалите излишки чистой тканью.

При необходимости используйте любое подходящее масло для смазки инструментов, не содержащее кислот (например, масло для швейных машин).





## 05 ЭКСПЛУАТАЦИЯ

---

Перед использованием машинки для стрижки необходимо вымыть, тщательно высушить и расчесать волосы. Так вы получите нужный результат.

Убедитесь, что прибор заряжен и при необходимости установите сменную насадку. Установите кнопку включения (4) в положение «ВКЛ.». После использования сразу выключите прибор. Вы также можете заблокировать прибор. Для этого нажмите и в течение 3 секунд удерживайте кнопку включения - на дисплее на короткое время загорится индикатор блокировки (11). Чтобы снять блокировку, снова нажмите и удерживайте кнопку включения.



### **ВНИМАНИЕ!**

- **Прибор не предназначен для стрижки влажных волос.**
- **Не используйте прибор на открытых ранах и порезах, ожогах и нарывах.**

### **Стрижка бороды**

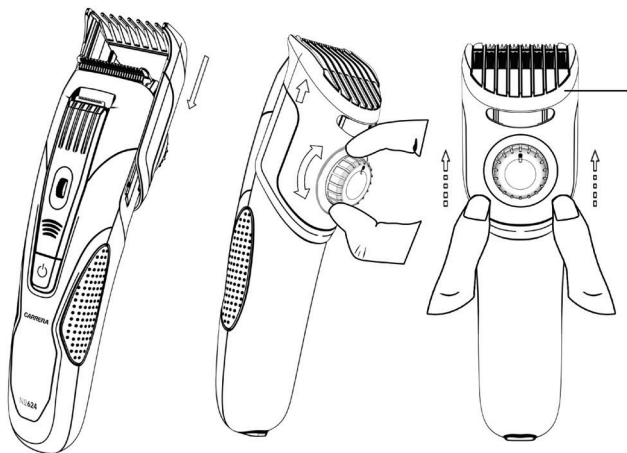
1. Установите насадку для точного стайлинга и убедитесь, что она надежно зафиксирована. Колесиком регулировки установите нужную длину - от 1 до 11 мм (интервал - 1 мм). Рекомендуется начать с большей длины, чтобы при необходимости срезать лишнее.

2. Подстригите бороду. Плавными движениями проводите машинкой по росту волос, двигаясь от ушей к подбородку. Стригите симметрично и поочередно с обеих сторон, чтобы она была ровной.

3. Подстригите усы, ведя прибор от носа к уголкам губ, а затем к подбородку.

4. В самом конце подстригите шею. Для этого либо полностью снимите насадку, либо установите небольшую длину, чтобы граница между шеей и бородой была минимальной. Стригите от шеи к подбородку.

5. В качестве финального штриха пройдитесь по краям бороды, чтобы немного подровнять.



## Стрижка волос

1. Установите насадку для точного стайлинга или насадку-гребень в зависимости от желаемой длины волос. Установите нужную длину - от 1 до 11 мм (насадка для точного стайлинга, интервал - 1 мм) или от 12 до 33 мм (насадка-гребень, интервал - 3 мм). Рекомендуется начать с большей длины, чтобы при необходимости срезать лишнее.

2. Начинайте стричь с нижней части затылка, двигаясь в сторону висков против роста волос. Не пытайтесь стричь слишком быстро и не делайте резких движений; насадка должна слегка касаться головы. Уделите внимание зоне за ушами. По мере работы очищайте насадку от состриженных волос.

3. Для создания контуров на шее и бакенбардах снимите насадку и осторожно перемещайте прибор против направления роста волос. Для окантовки вы можете использовать либо режущий блок либо триммер для точного стайлинга (2) – для этого нажмите на кнопку 3 и выдвиньте его вперед.

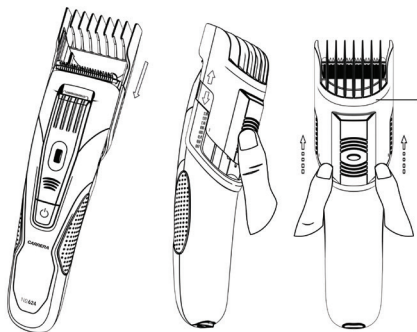
## 06 СМЕНА НАСАДОК

В комплект поставки входят две насадки: насадка для точного стайлинга (15) и насадка-гребень (16), которые позволяют отрегулировать длины стрижки волос. Перед установкой выбранной насадки убедитесь, что прибор выключен.

### Насадка для точного стайлинга

Насадка для точного стайлинга предназначена для стрижки коротких волос, бороды и усов, а также создания четких контуров и окантовки стрижки.

Наденьте насадку на режущий блок (1) и убедитесь, что замки крепления по обеим сторонам режущего блока надежно защелкнулись. Чтобы отрегулировать положение насадки, слегка надавите на нее и покрутите колесико регулировки вверх вниз. Для извлечения насадки упритесь в ее основание большими пальцами обеих рук и сдвиньте ее вверх.



## **Насадка-гребень**

Насадку-гребень рекомендуется использовать для стрижки волос.

Наденьте насадку на режущий блок и убедитесь, что замки крепления по обеим сторонам режущего блока надежно защелкнулись. Чтобы отрегулировать положение насадки, двумя пальцами нажмите на кнопки на лицевой и задней части насадки. Для извлечения насадки упритесь в ее основание большими пальцами обеих рук и сдвиньте ее вверх.

## 07 ОЧИСТКА И УХОД

Необходимо регулярно очищать прибор – так он прослужит гораздо дольше. В прибор встроен специальный таймер: через каждые 30 минут работы на дисплее будет загораться индикатор очистки (10), напоминающий о своевременной очистке. Если вы выключите прибор, когда на дисплее загорится индикатор очистки, отсчет таймера начнется заново.

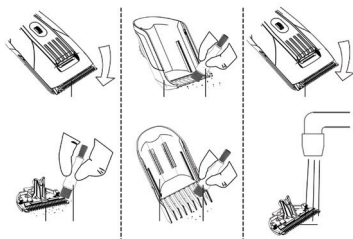
1. Выключите прибор, отсоедините кабель USB и при необходимости снимите насадку. Снимите режущий блок и промойте под проточной водой. При необходимости используйте щеточку (17). С помощью щеточки очистите место установки режущего блока. Тщательно высушите режущий блок, прежде чем установить его на место.

2. С помощью щеточки очистите триммер для точного стайлинга.

3. Промойте насадки под проточной водой, при необходимости используя мягкое моющее средство. Используйте щеточку для максимальной очистки. Тщательно высушите насадки перед повторным использованием.

4. После очистки смажьте лезвия маслом.

5. Храните прибор в темном прохладном месте, недоступном для детей месте. При хранении прибора следите, чтобы USB-кабель не спутывался и не заламывался.



### ВНИМАНИЕ!

- Не погружайте прибор или USB-кабель в воду!
- Не используйте для очистки прибора агрессивные или едкие чистящие средства.

## 08 ТРАНСПОРТИРОВКА И ХРАНЕНИЕ

---

- Храните прибор в чистом закрытом сухом помещении при температуре окружающей среды в диапазоне от 5 до 40 °С и относительной влажности не выше 70 %.
- Транспортировка прибора проводится всеми видами транспорта, в соответствии с правилами перевозки грузов. При транспортировке в заводской упаковке обеспечьте защиту прибора от повреждений, исключив возможность воздействия атмосферных осадков и агрессивной среды.
- При транспортировке без заводской упаковки рекомендуется использовать воздушно-пузырьковую пленку и тару из гофрированного картона. Рекомендуется качественно обернуть каждый элемент прибора в пленку и расположить в таре вертикально. Свободное расстояние между элементами изделия необходимо проложить воздушно-пузырьковой пленкой или сложенным картоном.

## 09 УТИЛИЗАЦИЯ

---



В целях защиты окружающей среды, после окончания срока службы прибора и элементов питания, не выбрасывайте их вместе с обычными бытовыми отходами. Передайте прибор и элементы питания в специализированные пункты для дальнейшей утилизации.

## 10 УСТРАНЕНИЕ НЕИСПРАВНОСТЕЙ

Неисправность	Возможная причина	Решение
Прибор не включается.	Прибор разряжен.	Зарядите прибор.
	Прибор поврежден.	Обратитесь в авторизованный сервисный центр.
Неудовлетворительный результат.	Лезвия или насадки загрязнены.	Очистите прибор в соответствии с разделом об очистке.



### **ВНИМАНИЕ!**

**Никогда не ремонтируйте прибор самостоятельно. Всегда обращайтесь в авторизованный сервисный центр или специализированную мастерскую.**

## 11 ТЕХНИЧЕСКИЕ ХАРАКТЕРИСТИКИ

- Вход: 5 V  $\equiv$  1 A
- Аккумулятор: Li-ion, 800 мА·ч, 3,7 В
- Диапазон температуры эксплуатации: от -10 до +40 °С
- Степень защиты: IPX6
- Класс защиты от поражения электрическим током: III

## КОМПЛЕКТАЦИЯ

- Машинка для стрижки
- Кабель USB Type A to C
- Сменные насадки - 2 шт.
- Щеточка для очистки
- Масленка
- Чехол для хранения
- Инструкция по эксплуатации

## **12 ГАРАНТИЯ**

---

Организация по гарантийному обслуживанию и принятию претензий: ООО «МВМ», Россия, 105066, г. Москва, ул. Нижняя Красносельская, д. 40/12, корпус 20, этаж 5, помещение II, комната 3.

Информация об условиях гарантии:

<https://www.eldorado.ru/spv>

или по телефону Эльдorado – 8 (800) 250-25-25

<https://www.mvideo.ru/spv>

или по телефону М.Видео – 8 (800) 600-77-75

Гарантия продавца – 12 месяцев с момента продажи (передачи) товара Покупателю.

## **13 ДОПОЛНИТЕЛЬНАЯ ИНФОРМАЦИЯ**

---

Изготовитель: CARRERA Global FZCO

Адрес: DSO-IFZA-19795, IFZA Properties, Dubai Silicon Oasis, ОАЭ

Сделано в Китае

Импортер/Уполномоченное изготовителем лицо: «МВМ», Россия, 105066, г. Москва, ул. Нижняя Красносельская, д. 40/12, корпус 20, этаж 5, помещение II, комната 3.

Телефон: +7 (495) 644-28-48

E-mail: cert-log@mvideo.ru

Установленный производителем в соответствии с п. 2 ст. 5 Закона РФ



«О защите прав потребителей» срок службы данного изделия равен 3 годам с даты продажи при условии, что изделие используется согласно правилам и рекомендациям, изложенным в настоящей инструкции по эксплуатации, и применяемым техническим стандартам.

Специальные условия реализации не установлены.

Дата изготовления указана (закодирована) на приборе, где 1 и 2-я цифра с начала – месяц изготовления; следующие 4-е цифры – год изготовления.

# ***CARRERA***

---

---

DESIGNED IN GERMANY

[www.carrera.de](http://www.carrera.de)