

№ 550

EN **ELECTRIC KETTLE**

Instruction manual

RU **ЭЛЕКТРИЧЕСКИЙ
ЧАЙНИК**

Инструкция по эксплуатации



CARRERA

DESIGNED IN GERMANY

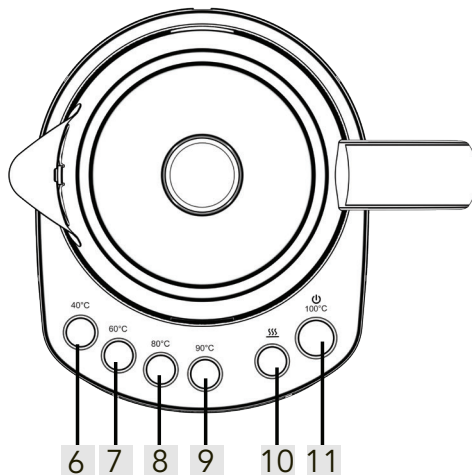
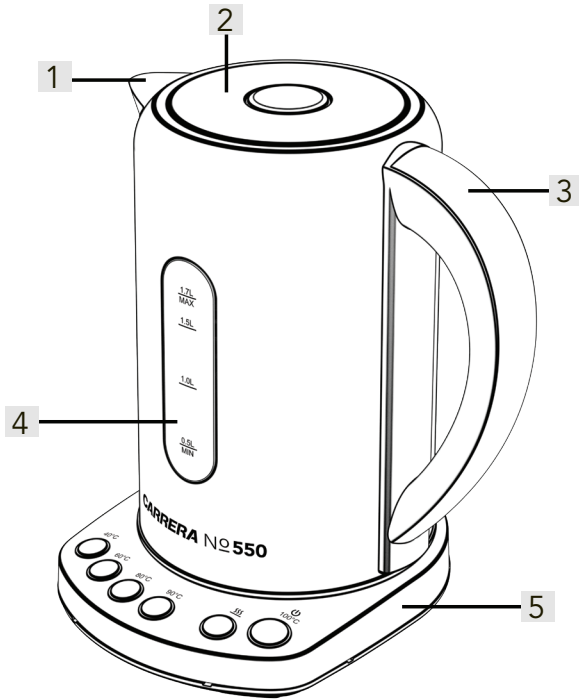
www.carrera.de

Congratulations on buying a **CARRERA** product!
We are certain that you are going to enjoy our product.

.....
CONTENT
.....

01 Appliance Overview	1
02 Safety Precautions	3
03 Intended Use	6
04 Before Use	7
05 Operation	8
06 Cleaning and Maintenance	9
07 Transport and Storage	10
08 Disposal	10
09 Troubleshooting	11
10 Technical Data	11
11 Scope of Delivery	12
12 Warranty	12
13 Additional Information	13

01 APPLIANCE OVERVIEW



01 APPLIANCE OVERVIEW

- 1 Spout
- 2 Lid
- 3 Handle
- 4 Water window
- 5 Base
- 6 Temperature selection button – 40 °C
- 7 Temperature selection button – 60 °C
- 8 Temperature selection button – 80 °C
- 9 Temperature selection button – 90 °C
- 10 Keeping warm button
- 11 Heating/Stop button

02 SAFETY PRECAUTIONS

These important safety precautions are critical part of the appliance. Please read them all carefully before using the appliance for the first time. You may keep the instructions for future reference or pass it to other users. Always handle the appliance with care and warn other users of the potential danger.

- Make sure that the mains voltage stated on the rating plate corresponds to the local electricity supply. Check the appliance for mechanical damage. Do not use the appliance if any is found.
- To avoid a hazard due to inadvertent resetting of the thermal cut-out, this appliance must not be supplied through an external switching device, such as a timer, or connected to a circuit that is regularly switched on and off by the utility.
- The appliance is not recommended to be connected to the mains using extension cords, splitters and adapters.
- In order to avoid overloading the electrical network, it is not recommended to turn on several appliances with high power consumption at the same time.
- The appliance is recommended to be connected to a grounded outlet.
- Do not connect the appliance to the power source before finishing assembly and adjustment.
- Place the appliance on a firm and steady surface. Do not put the appliance in a kitchen cabinet.
- Do not place the appliance on or near hot gas or electric burner, or in a heated oven.
- Do not use the appliance in outdoor environment.
- Do not use the appliance in places where aerosols are sprayed or flammable liquids are present.
- Do not use the appliance near curtains or other flammable objects.
- This appliance is designed for household use only.
- Do not place the appliance near sources of water or other liquids, or near heating appliances.
- Do not place the appliance in a room where air temperature can drop below the freezing point of water (0 °C).

- Do not immerse the appliance in water or any liquids. Do not touch it with wet hands.
- Do not use appliance for other than intended use.
- Keep the appliance and power cable away from high temperatures, direct sunlight, moisture and other negative influences.
- Do not turn the appliance on if it was dropped, even if there is no external damage, until it is inspected by a qualified specialist.
- Do not cover the plugged-in appliance with a towel or other object. Do not place any foreign objects on the appliance.
- Do not leave the appliance unattended when it is connected to main supply.
- Do not let cord hang over the edge of table or counter or touch hot surface. Do not place the cord on a sharp edge of an item.
- Do not use the kettle with a different base and the base with a different kettle. Switch the appliance off before removing it from the base.
- Do not turn the appliance on without water.
- Before switching the appliance on make sure that the water level is not below the minimum mark and is not above maximum mark. If the appliance overflows, boiling water may splash over the edge. If the water level is below the minimum mark, the heating element may fail.
- Do not heat or boil anything other than water in the appliance.
- Before switching the appliance on, make sure that the lid is closed tightly. The base and body of the appliance should be kept dry.
- Be careful not to get burned by the hot steam.
- After the appliance switches off automatically, wait 15-10 seconds before pouring water out otherwise the heating element may be damaged.
- Pour the water out gradually, remember that it is hot.
- Do not place the appliance near walls, in the corner of a room, under overhanging panels or in kitchen cabinets.
- Be extremely careful when carrying an appliance filled with hot water.
- Some parts of the appliance may get hot during operation. To avoid burns, do not touch hot surfaces with your hands. Hold the appliance only by the handle.

- Children should not be playing with the appliance. This appliance should not be used by children. Keep the appliance and its cord out of children's reach.
- Do not allow children to play with the appliance, accessories, box or other packaging to avoid injury or suffocation.
- Wait until the appliance cools down before assembling or disassembling or cleaning the appliance.
- Do not pull the cable, when disconnecting the appliance from the mains. Do not wind the cable around the appliance. Do not try to carry the appliance by the cable.
- If the power cord is damaged, it must be replaced by a qualified specialist to avoid any hazard.
- The appliance can be used by persons (including children) with reduced physical, sensory or mental capabilities or lack of experience and knowledge if they are under supervision or have been given instruction concerning use of the appliance in a safe way and understand the hazards involved.
- Regularly check the appliance and its cable for mechanical damage and do not use the appliance if any is found. It is forbidden to repair the appliance or make changes to its design on your own. Do not attempt to open the main body or dismantle any parts from the appliance. Repair of the appliance or replacement of the power cord must be carried out in a specialized service center only.
- Be extremely careful when carrying an appliance filled with hot water.
- Some parts of the appliance may get hot during operation. To avoid burns, do not touch hot surfaces with your hands. Hold the appliance only by the handle.
- Children should not be playing with the appliance. This appliance should not be used by children. Keep the appliance and its cord out of children's reach.
- Do not allow children to play with the appliance, accessories, box or other packaging to avoid injury or suffocation.
- Wait until the appliance cools down before assembling or disassembling or cleaning the appliance.

- Do not pull the cable, when disconnecting the appliance from the mains. Do not wind the cable around the appliance. Do not try to carry the appliance by the cable.
- If the power cord is damaged, it must be replaced by a qualified specialist to avoid any hazard.
- The appliance can be used by persons (including children) with reduced physical, sensory or mental capabilities or lack of experience and knowledge if they are under supervision or have been given instruction concerning use of the appliance in a safe way and understand the hazards involved.
- Regularly check the appliance and its cable for mechanical damage and do not use the appliance if any is found. It is forbidden to repair the appliance or make changes to its design on your own. Do not attempt to open the main body or dismantle any parts from the appliance. Repair of the appliance or replacement of the power cord must be carried out in a specialized service center only.

03 INTENDED USE

The electric kettle is designed to heat and boil water.

The appliance is intended for domestic and similar purposes, in particular:

- in kitchen areas for staff in shops, offices and other production environments;
- in farm houses;
- in hotels, motels and other residential type infrastructure by clients;
- in "accommodation plus breakfast" boarding houses.

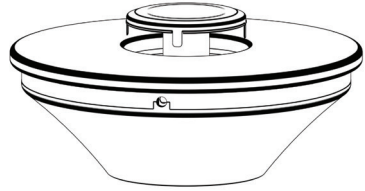
04 BEFORE USE

- After storage or transportation at low temperatures, keep the appliance in warm room for two hours before turning it on.
- Remove all packaging materials from the appliance. Make sure that the accessories of the appliance fit the description, and that the appliance is not damaged. Unwind and straighten the power cord.
- Wipe the body of the appliance with a damp cloth and wipe dry. Put the appliance on a flat, stable surface.
- Before use, boil water in the kettle several times and pour it out without drinking.

Note: during the first 2-5 starts, there may be a foreign odor and slight smoke, which indicates burnout of the lubricant or dust. This is not a malfunction.


05 OPERATION


- Fill the kettle with water up to MAX – to do this, press the button on the lid and remove it. You can also pour water through the spout.



- Close the lid tightly and place the kettle on the base. Insert the plug into an outlet with the appropriate power supply voltage. Two beeps will sound and all indicators will briefly light up. The kettle will go into standby mode.

- Press the button of the heating temperature (40, 60, 80 or 90 °C)

you need, then press the power  button. The indicator of the button will flash, and heating will start. When the water reaches the set temperature, 2 beeps will sound and the indicators will turn off.



- If you want to boil water (heat up to 100 °C), simply press the power button .


- To stop heating, press the power button  or remove the kettle from the base.



Keeping warm mode

The appliance can maintain the set water temperature for 30 minutes. To do this, press the button of the temperature you want, then

press  and . If  is not pressed within one minute, the kettle

will return to standby mode.  and  buttons will light up and temperature button will flash. When the water is hot enough, the temperature button will light up stably.

You can also skip the temperature selection step and press **SSS** and , in which case the water will heat up to 90 °C.

You can activate the function when the water is already heated: to do this press **SSS** and , the kettle will maintain a temperature of 90 °C. If you need to change the temperature, press the desired temperature button first, then **SSS** and .

To deactivate the warming keeping function, remove the kettle from the base or press .

Dry-boil protection

If the kettle recognizes no water inside, the heating will stop. The power button will go out and the kettle will turn off completely. A safety fuse will trip. Take the kettle off its base and rinse with cold water. Disconnect the mains plug from the electric outlet, wait about 5 minutes and then reconnect.

06 CLEANING AND MAINTENANCE

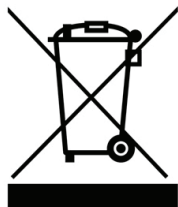
Before cleaning the appliance, always unplug it and wait until it cools down.

- Wipe the body with a slightly damp cloth or sponge, do not use abrasive cleaners.
- Regularly clean the filter located in the spout of the appliance. Use an old toothbrush or similar tool.
- Descale the appliance at least once every six months. Pour water into the kettle and add vinegar (100 ml of vinegar per 1 liter of water), boil the water and leave it in the kettle for several hours or overnight.
- Do not wash the appliance or the base in a dishwasher.
- Do not immerse the appliance or base in water or other liquids.

07 TRANSPORT AND STORAGE

- Store the appliance in a clean, closed, dry room at an ambient temperature between 5 and 40 °C and a relative humidity of no more than 70 %.
- Transportation of the device can be carried out by all means of transport, in accordance with the rules for the carriage of goods. When transporting in the original packaging, protect the appliance from damage, preventing the exposure to precipitation and aggressive environments.
- When transporting the appliance without original packaging, use bubble wrap and corrugated cardboard packaging. Wrap each element of the appliance in a film and place it vertically in the container. The free distance between the elements of the product must be laid with air bubble wrap or folded cardboard.

08 DISPOSAL



To protect the environment, do not dispose of appliance and the batteries with household waste. Bring the appliance and batteries to specialized points for further disposal. For more information on the disposal of this product, contact your local authority, your household waste disposal service, or the retailer.

09 TROUBLESHOOTING

Problem	Possible Cause	Solution
The appliance does not work.	The outlet to which the appliance is connected may be damaged.	Make sure the appliance is properly connected to the network. Check the fuse in your home's electrical outlet.
	The voltage of the power supply to which the appliance is connected does not match the voltage of the appliance.	Make sure that the voltage indicated on the appliance matches the voltage of the power supply.
The appliance cannot be switched on.	The appliance has not cooled down sufficiently.	Allow the appliance to cool down.
The appliance does not react to buttons.	The boil-dry protection is activated.	Take the kettle off the base and let it cool down for at least 5 minutes.



WARNING!

Never repair the appliance yourself, contact an authorized service center or a qualified specialist.

10 TECHNICAL SPECIFICATION

- Model name: CRR550
- Power: 2000-2400 W
- Voltage: 220-240 V~, 50 Hz
- Capacity: 1,7 L
- STRIX controller
- Temperature control 40 °C/60 °C/80 °C/90 °C/100 °C
- Concealed heating element
- Detachable lid
- Keeping warm function
- Material: stainless steel

11 SCOPE OF DELIVERY

- Electric kettle
- Base with the cable
- Instruction manual

12 WARRANTY

Organization for warranty service and acceptance of claims:
LLC "MVM", Russia, 105066, Moscow, Nizhnaya Krasnoselskaya
str., 40/12, building 20, floor 5, room II, room 3.

Phone: +7 (495) 644-28-48

Information about the warranty conditions:

<https://www.eldorado.ru/spv>

or by phone Eldorado - 8 (800) 250 25 25

<https://www.mvideo.ru/spv>

or by phone M.Video - 8 (800) 600 77 75

The seller's warranty is 12 months from the date of sale (transfer)
of the goods to the Customer.

13 ADDITIONAL INFORMATION

Manufacturer: CARRERA Global FZCO

Address: DSO-IFZA-19795, IFZA Properties, Dubai Silicon Oasis, UAE

Made in China

Importer/Manufacturer's authorized company:

LLC "MVM", Russia, 105066, Moscow, Nizhnyaya Krasnoselskaya str., 40/12, building 20, floor 5, room II, room 3.

E-mail: cert-log@mvideo.ru

Phone: +7 (495) 644-28-48

Installed by the manufacturer in accordance with paragraph 2 of article 5 of the Law of the Russian Federation "On Consumer Protection" the service life of this product is 3 years from the date of sale, provided that the product is used in accordance with the rules and recommendations set forth in this instruction manual and applicable technical standards.

There are no special conditions for the sale.

The date of manufacture is indicated (coded) on the device, where the 1st and 2nd digits from the beginning are the month of manufacture; the next 4 digits are the year of manufacture.

The product is certified, meets the requirements:

TR TS 004/2011 "On the safety of low-voltage equipment",

TR TS 020/2011 "Electromagnetic compatibility of technical means",

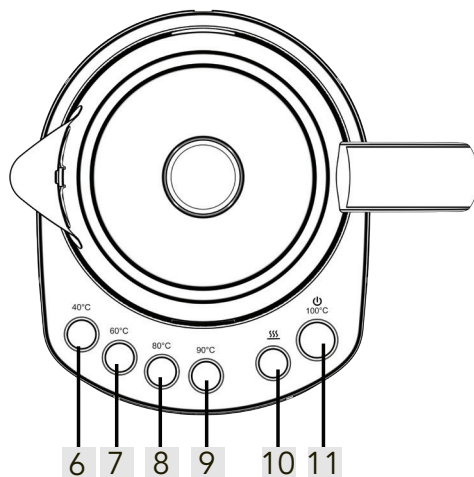
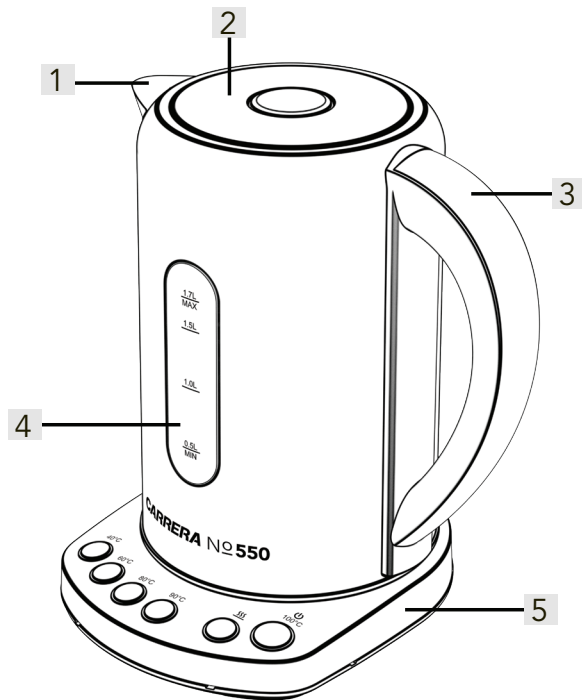
TR EAEU 037/2016 "On the restriction of the use of hazardous substances in products of electrical engineering and radio electronics".

Поздравляем Вас с приобретением продукта **CARRERA!**
Мы уверены, что Вы получите удовольствие от
использования нашего продукта!

.....
СОДЕРЖАНИЕ
.....

01 СХЕМА ПРИБОРА	15
02 МЕРЫ БЕЗОПАСНОСТИ	17
03 НАЗНАЧЕНИЕ	20
04 ПОДГОТОВКА К РАБОТЕ	21
05 ЭКСПЛУАТАЦИЯ	22
06 ОЧИСТКА И УХОД	23
07 ТРАНСПОРТИРОВКА И ХРАНЕНИЕ	24
08 УТИЛИЗАЦИЯ	24
09 УСТРАНЕНИЕ НЕИСПРАВНОСТЕЙ	25
10 ТЕХНИЧЕСКИЕ ХАРАКТЕРИСТИКИ	25
11 КОМПЛЕКТАЦИЯ	26
12 ГАРАНТИЯ	26
13 ДОПОЛНИТЕЛЬНАЯ ИНФОРМАЦИЯ	27

01 СХЕМА ПРИБОРА



01 СХЕМА ПРИБОРА

- 1 Носик
- 2 Крышка с кнопкой
- 3 Ручка
- 4 Шкала уровня воды
- 5 База со шнуром питания
- 6 Кнопка температуры 40 °С
- 7 Кнопка температуры 60 °С
- 8 Кнопка температуры 80 °С
- 9 Кнопка температуры 90 °С
- 10 Кнопка функции поддержания тепла
- 11 Кнопка кипячения/выключения

02 МЕРЫ БЕЗОПАСНОСТИ

Перед первым использованием прибора внимательно прочтите меры безопасности. Сохраните инструкцию для дальнейшего использования и при необходимости передайте ее другим пользователям. Обращайтесь с прибором осторожно и предупреждайте других пользователей о потенциальной опасности.



ВНИМАНИЕ!

Неправильное использование прибора может привести к травме.

- Перед использованием прибора убедитесь в соответствии рабочего напряжения прибора и напряжения электросети. Проверьте прибор на наличие механических повреждений. Не используйте прибор при их обнаружении.
- Во избежание повреждений, вызванных случайным сбросом термopедохранителя, не рекомендуется подключать прибор к внешнему переключающему устройству, например таймеру.
- Не рекомендуется подключать прибор к электросети при помощи удлинителей, разветвителей и переходников.
- Во избежание перегрузки электрической сети не рекомендуется включать одновременно несколько устройств с большим потреблением мощности.
- Рекомендуется подключать прибор к розетке с заземлением.
- Не подключайте прибор к источнику питания до полной сборки и регулировки.
- Не используйте прибор не по назначению.
- Используйте прибор только на твердой и устойчивой поверхности. Не устанавливайте прибор в кухонный шкаф.
- Не ставьте прибор на газовую горелку, электрическую конфорку или рядом с ними, а также в нагретую духовку.
- Не используйте и не ставьте прибор на влажную или горячую поверхность.
- Не используйте прибор на открытом воздухе.
- Не используйте прибор в местах, где распыляются аэрозоли или есть легковоспламеняющиеся жидкости.

- Не используйте прибор вблизи штор, занавесок и прочих легковоспламеняющихся предметов.
- Не размещайте прибор вблизи источников воды и других жидкостей, а также рядом с нагревательными или отопительными приборами.
- Не допускайте попадания воды или других жидкостей на электрический соединитель.
- Не размещайте прибор в помещении, где температура воздуха может опуститься ниже температуры замерзания воды (0 °C).
- Не погружайте прибор в воду или другие жидкости и не прикасайтесь к нему влажными руками. При намокании прибора сразу отключите его от сети.
- Берегите прибор и шнур питания от воздействия высоких температур, прямых солнечных лучей, сырости и прочих негативных воздействий.
- Не включайте прибор, если он упал, даже при отсутствии внешних повреждений до того, как его осмотрит специалист. Обратитесь в специализированный сервис.
- Не накрывайте прибор, включенный в розетку, полотенцем или другими предметами. Не ставьте на прибор посторонние предметы.
- Не оставляйте работающий прибор без присмотра. Если прибор не используется, отключите его от сети.
- Следите, чтобы сетевой шнур прибора не соприкасался с горячими поверхностями и острыми предметами, а также не свисал с края стола или стойки.
- Не используйте чайник с другой базой, а базу - с другим чайником. Выключайте прибор перед снятием с базы.
- Не включайте прибор без воды.
- Уровень воды в приборе перед включением должен находиться между минимальной и максимальной отметкой. В случае переполнения прибора кипящая вода может выплеснуться через край. Если уровень воды будет ниже минимальной отметки, нагревательный элемент может выйти из строя.

- Не допускается нагревать и кипятить в приборе что-либо кроме воды.
- Перед включением прибора убедитесь в том, что крышка плотно закрыта. База и внешняя поверхность прибора должны быть сухими.
- Будьте осторожны, чтобы не обжечься горячим паром.
- После того, как прибор автоматически выключится, подождите 15-10 секунд, прежде чем переливать воду, чтобы не повредить нагревательный элемент.
- Выливайте воду постепенно, помните, что внутри чайника находится кипяток.
- Не ставьте прибор около стен, в углу помещения, под нависающими панелями или кухонными шкафами.
- Будьте предельно осторожны, перенося прибор, наполненный горячей водой.
- Части прибора могут нагреваться во время работы. Во избежание ожогов не касайтесь горячих поверхностей руками, беритесь только за ручку.
- Не разрешайте детям играть с прибором, аксессуарами, коробкой и прочими элементами упаковки во избежание травм или удушья. Дети должны находиться под присмотром для недопущения игр с прибором.
- Прибор не предназначен для использования лицами (включая детей) с пониженными физическими, сенсорными или умственными способностями или при отсутствии у них жизненного опыта или знаний, если они не находятся под присмотром или не проинструктированы об использовании прибора лицом, ответственным за их безопасность.
- Отключая прибор от сети, не тяните за шнур питания. Не наматывайте шнур на корпус прибора. Не переносите прибор за шнур питания.
- Храните прибор в темном прохладном месте, недоступном для детей месте. При хранении прибора следите, чтобы шнур питания не спутывался и не заламывался.
- Регулярно проверяйте прибор и шнур питания для выявления механических повреждений и не используйте прибор в случае их обнаружения.

Запрещается самостоятельно ремонтировать прибор или вносить изменения в его конструкцию. Ремонт прибора должен производиться исключительно специалистом сервисного центра.

- При повреждении шнура питания его замену во избежание опасности должны производить изготовитель, сервисная служба или подобный квалифицированный персонал.

03 НАЗНАЧЕНИЕ

Чайник электрический предназначен для нагрева и кипячения воды.

Прибор предназначен для использования в бытовых и аналогичных целях, в частности:

- в кухонных зонах для персонала в магазинах, офисах и прочих производственных условиях;
- в фермерских домах;
- клиентами в гостиницах, мотелях и прочей инфраструктуре жилого типа;
- в условиях режима пансиона «проживание плюс завтрак».

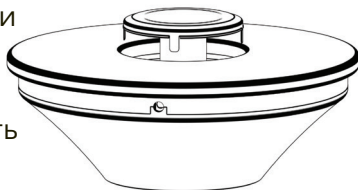
04 ПОДГОТОВКА К РАБОТЕ

- После хранения и транспортировки в условиях пониженной температуры перед включением рекомендуется выдержать прибор при комнатной температуре в течение двух часов.
- Извлеките прибор из упаковки. Удалите с прибора все защитные пленки, наклейки и другие упаковочные материалы. Убедитесь в том, что комплектация прибора соответствует заявленной производителем, а элементы прибора не повреждены.
- Протрите корпус прибора влажной тканью и вытрите насухо. Установите базу на ровную устойчивую поверхность. Размотайте и выпрямите шнур питания.
- Перед началом использования несколько раз прокипятите в чайнике воду и вылейте ее.

Примечание: при первых 2-5 запусках возможно появление постороннего запаха и незначительного дыма, что говорит о выгорании смазочного материала или пыли. Это не является неисправностью.


05 ЭКСПЛУАТАЦИЯ

- Наполните чайник водой до отметки MAX – для этого нажмите на кнопку, расположенную на крышке, и снимите ее. Вы также можете залить воду через носик.



- Плотно закройте крышку и установите на базу. Вставьте вилку в розетку с соответствующим напряжением питания. Прозвучит два звуковых сигнала, на короткое время загорятся все индикаторы. Чайник перейдет в режим ожидания.

- Нажмите кнопку требуемой температуры нагрева

(40, 60, 80 или 90 °C), затем нажмите . Замигает индикатор кнопки установленной температуры, начнется нагрев. Когда вода нагреется до заданной температуры, прозвучит 2 звуковых сигнала, индикаторы погаснут.

- Если вы хотите вскипятить воду (нагреть до 100 °C), просто

нажмите .

- Чтобы прервать нагрев, нажмите  или снимите чайник с базы.

Функция поддержания тепла

Прибор позволяет поддерживать заданную температуру воды в течение 30 минут. Для этого нажмите на кнопку нужной

температуры, затем кнопки  и . Если в течение минуты



не нажать кнопку , чайник вернется в режим ожидания.

Загорятся индикаторы кнопок  и , замигает индикатор кнопки температуры. Когда вода нагреется, индикатор кнопки температуры загорится ровным светом.

Вы также можете пропустить шаг с выбором температуры

и сразу нажать кнопки  и  - в этом случае вода нагреется до 90 °С.

Вы можете включить функцию после того, как вода уже

нагрелась: для этого нажмите кнопки  и  - чайник будет поддерживать температуру в 90 °С. Если вам нужно изменить температуру, нажмите сначала кнопку нужной температуры,

затем  и .

Для отключения функции снимите чайник с базы или

нажмите .

Примечание: для защиты от перегрева чайник может поддерживать температуру до 90 °С для защиты.

Защита от включения без воды

Если во включенном чайнике нет или недостаточно воды, нагрев будет автоматически остановлен. Снимите чайник с базы и промойте прохладной водой. Отключите базу от сети и выждите не менее 5 минут перед повторным включением.

06 ОЧИСТКА И УХОД

Перед очисткой прибора всегда отключайте его от сети и подождите, пока он не остынет.

- Протирайте корпус слегка влажной тканью или губкой, без применения абразивных моющих средств.
- Рекомендуется как минимум один раз в полгода очищать прибор от накипи. Для этого залейте в чайник воду и добавьте пищевой уксус (100 мл уксуса на 1 л воды), вскипятите воду и оставьте в чайнике на несколько часов или на ночь.
- После очистки промойте чайник прохладной водой.

- Не допускается мойка прибора или базы в посудомоечной машине.
- Не погружайте прибор или базу в воду или другие жидкости.

07 ТРАНСПОРТИРОВКА И ХРАНЕНИЕ

- Храните прибор в чистом закрытом сухом помещении при температуре окружающей среды в диапазоне от 5 до 40 °С и относительной влажности не выше 70%.
- Транспортировка прибора проводится всеми видами транспорта, в соответствии с правилами перевозки грузов. При транспортировке в заводской упаковке обеспечьте защиту прибора от повреждений, исключив возможность воздействия атмосферных осадков и агрессивной среды.
- При транспортировке без заводской упаковки рекомендуется использовать воздушно-пузырьковую пленку и тару из гофрированного картона. Рекомендуется качественно обернуть каждый элемент прибора в пленку и расположить в таре вертикально. Свободное расстояние между элементами изделия необходимо проложить воздушно-пузырьковой пленкой или сложенным картоном.

08 УТИЛИЗАЦИЯ



В целях защиты окружающей среды после окончания срока службы прибора и элементов питания не выбрасывайте их вместе с обычными бытовыми отходами. Передайте прибор и элементы питания в специализированные пункты для дальнейшей утилизации.

Для получения дополнительной информации об утилизации данного продукта обратитесь в местную службу утилизации бытовых отходов или в магазин, где вы приобрели данный продукт.

09 УСТРАНЕНИЕ НЕИСПРАВНОСТЕЙ

Проблема	Возможная причина	Решение
Прибор не работает.	Розетка, к которой подключен прибор, может быть повреждена.	Убедитесь, что прибор правильно подключен к сети. Проверьте предохранитель в электрической розетке вашего дома.
	Напряжение источника питания, к которому подключен прибор, не соответствует напряжению самого прибора.	Убедитесь, что напряжение, указанное на приборе, соответствует напряжению источника питания.
Прибор не может быть включен.	Накопилось слишком много накипи.	Очистите прибор от накипи.
Прибор не реагирует на нажатие кнопок.	Сработала защита от включения без воды.	Снимите прибор с базы и дайте ему остыть как минимум в течение 5 минут. После этого заполните его свежей водой и включите снова.



ВНИМАНИЕ!

Никогда не ремонтируйте прибор самостоятельно. Всегда обращайтесь в авторизованный сервисный центр или специализированную мастерскую.

10 ТЕХНИЧЕСКИЕ ХАРАКТЕРИСТИКИ

- Модель: CRR550
- Мощность: 2000-2400 Вт
- Напряжение: 220-240 В~, 50 Гц
- Корпус из нержавеющей стали
- Емкость: 1,7 л
- Контроллер STRIX
- Регулировка температуры 40 °С/60 °С/80 °С/90 °С/100 °С
- Съёмная крышка
- Скрытый нагревательный элемент
- Режим поддержания тепла до 30 мин.

11 КОМПЛЕКТАЦИЯ

- Чайник электрический
- База за шнуром питания
- Инструкция по эксплуатации

12 ГАРАНТИЯ

Организация по гарантийному обслуживанию и принятию претензий: ООО «МВМ», Россия, 105066, г. Москва, ул. Нижняя Красносельская, д. 40/12, корпус 20, этаж 5, помещение II, комната 3.

Информация об условиях гарантии:

<https://www.eldorado.ru/spv>

или по телефону Эльдорадо – 8 (800) 250-25-25

<https://www.mvideo.ru/spv>

или по телефону М.Видео – 8 (800) 600-77-75

Гарантия продавца – 12 месяцев с момента продажи (передачи) товара Покупателю.

13 ДОПОЛНИТЕЛЬНАЯ ИНФОРМАЦИЯ

Изготовитель: CARRERA Global FZCO

Адрес: DSO-IFZA-19795, IFZA Properties, Dubai Silicon Oasis, ОАЭ

Сделано в Китае

Импортер/Уполномоченное изготовителем лицо: «МВМ»,
Россия, 105066, г. Москва, ул. Нижняя Красносельская, д. 40/12,
корпус 20, этаж 5, помещение II, комната 3.

Телефон: +7 (495) 644-28-48

E-mail: cert-log@mvideo.ru

Установленный производителем в соответствии с п. 2 ст. 5
Закона РФ

«О защите прав потребителей» срок службы данного изделия
равен 3 годам с даты продажи при условии, что изделие
используется согласно правилам и рекомендациям,
изложенным в настоящей инструкции по эксплуатации, и
применяемым техническим стандартам.

Специальные условия реализации не установлены.

Дата изготовления указана (закодирована) на приборе, где
1 и 2-я цифра с начала – месяц изготовления; следующие
4-е цифры – год изготовления.

Товар сертифицирован, соответствует требованиям:

ТР ТС 004/2011 «О безопасности низковольтного
оборудования»

ТР ТС 020/2011 «Электромагнитная совместимость
технических средств»

ТР ЕАЭС 037/2016 «Об ограничении применения опасных
веществ в изделиях электротехники и радиоэлектроники».

Изготовитель оставляет за собой право изменения
комплектации, технических характеристик и внешнего
вида товара.

CARRERA

DESIGNED IN GERMANY

www.carrera.de